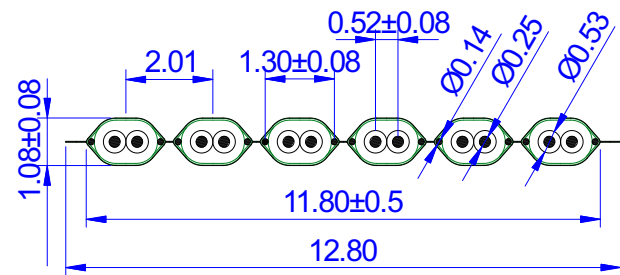


PROPRIETARY AND CONFIDENTIAL
 THE INFORMATION CONTAINED IN THIS DRAWING IS THE SOLE PROPERTY OF ADT-LINK ANY
 REPRODUCTION IN PART OR AS A WHOLE WITHOUT THE WRITTEN PERMISSION OF ADT-LINK IS PROHIBITED



Description
 Rated Voltage (V): 30
 Rated Temperature (°C): 80
 Flammability Test: H
 Reference Standard: UL758 & Customer's requirement

Marking
 E148000 AWM STYLE 22431 30AWG 80°C
 30V H PC10 LTK 85Ω MM/DD/YYYY W***
 *****FT

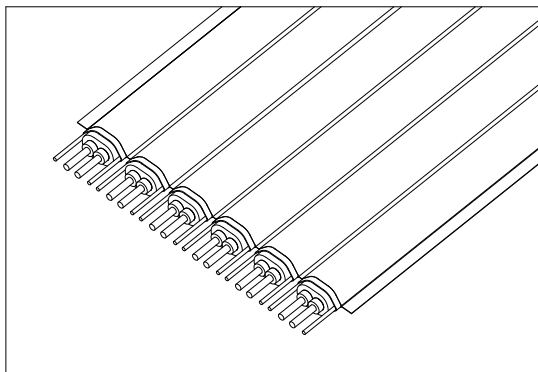
Note:
 "MM/DD/YYYY" means month/date/year
 "W***" means equipment number
 "*****FT" means continuous length

CONSTRUCTION

Cores: 1P
 Conductor: Silver Plated Copper
 AWG: 30
 Construction (mm): 1/0.28
 Nom Dia. (±0.008mm): 0.28
 Insulation: FEP
 Nom. Thickness (mm): 0.10
 Insulation Dia(±0.05mm): 0.52
 Inner Jacket: Fluoroplastics
 Insulation Dia(mm): 0.95*1.45(Nom)
 Shielding Aluminum/mylar(Metal Side outside Coverage, %): >=100
 Drain wire: Tinned Copper
 Construction (mm): 1/0.14±0.01*2PCS
 Wrapping: 1P
 Hot-Melt PET1(Coverage, %): >=100
 Dia. (H*W,mm): 1.08±0.08*1.80±0.08
 Lamination: 6P
 Hot-Melt PET (Coverage, %): >=100
 Dia. (H*W,mm): 1.1±0.08*11.78±0.50

ENVIRONMENTAL RESTRICTED SUBSTANCE REQUIREMENT: RoHS2.0 ; REACH

3D photo



ELECTRONIC CHARACTERISTICS:

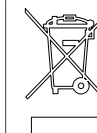
1. Min. Insulation DC Resistance (Mohm.km): 100
2. Dielectric Strength (kV/min): 0.50
3. DC Resistance at 20°C (ohm/km) Max.: 376
4. Impedance(Ω) TDR (Rise time:45ps(10~90%),the range:0.5~1.0ns): 85±3(differential)
5. Delay skew(ps/m) Intra:

$$f(x) = \sqrt{\frac{1}{N} \left[\sum \text{phase} \left(\frac{S(2,1) - S(2,3)}{S(4,3) - S(4,1)} \right) / (\text{Freq}(\text{GHz}) * 0.36) \right]^2} \leq 6$$

6. Delay (ps/in): <=132
7. Attenuation Max.

Frequency(GHz)	Nom	Max
2.00	1.80	2.07
4.00	2.60	2.99
6.00	3.10	3.57
8.00	3.70	4.26
10.00	4.20	4.83
12.00	4.70	5.41
14.00	5.20	5.98
16.00	5.50	6.33
20.00	6.60	7.59
24.00	7.60	8.74
28.00	8.50	9.78
32.00	9.40	10.81

8. Differential to common mode Attenuation(SCD21) Min: 22db (Up to 32.0GHz).
9. SCD21--SDD21 Min.: 12 dB (0.05 ≤ f < 12.89 GHz) (16-(0.3108*f)) dB (12.89 ≤ f ≤ 40.0 GHz)
 Note: The test length is 3M



APPROVED:		UNIT:	TITLE :		SHEET
ENGINEER:		mm	24Pin 6 Pairs Data Flat Cable		
CHECKED:		SCALE:	DRAWING NUMBER:	Date	SIZE
DRAWN:	Gwydion		ADT-24P-5.0	2022/Nov/16	REV.
			ADT-Link www.adt.link		