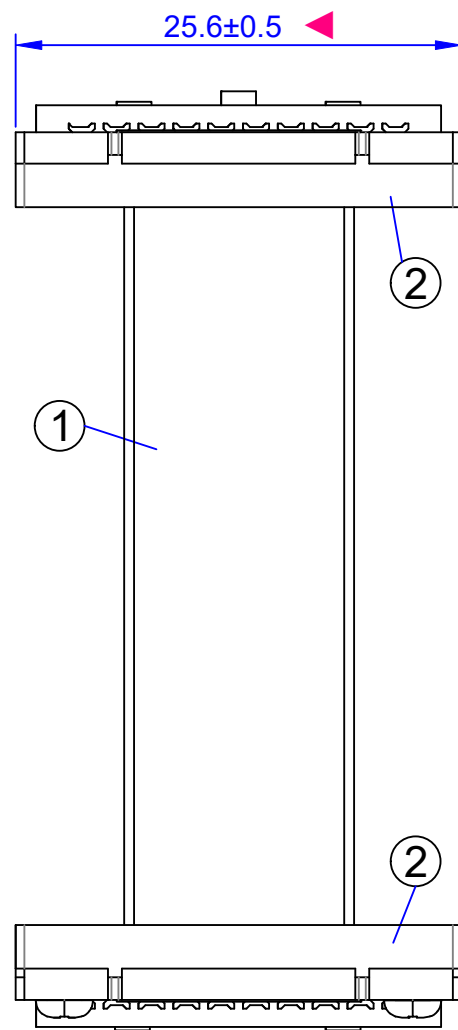


MATERIAL MUST BE ACCORD WITH RoHS STANDARD

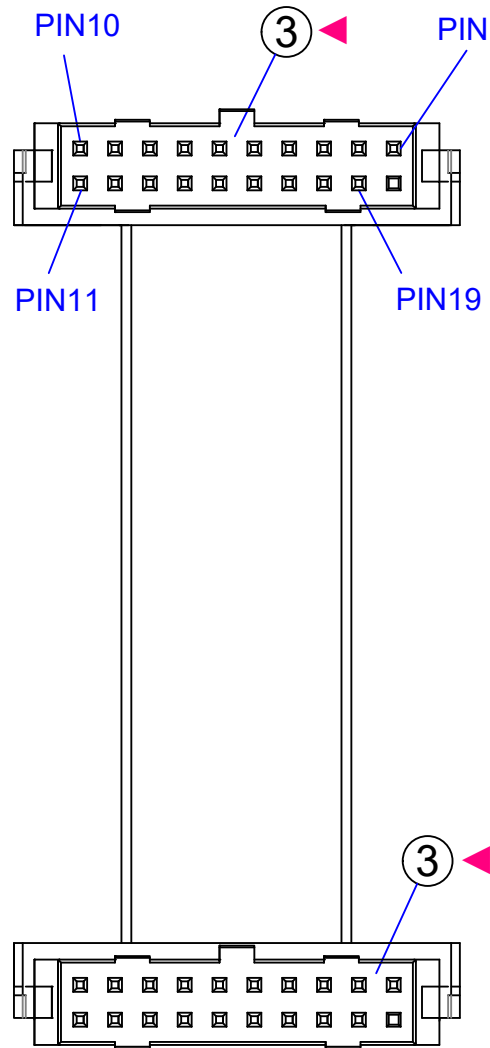
版本 REV.	变更内容 DESCRIPTION	变更号 ECN No.	日期 DATA
1.1	ISSUE	REL	2021-Jun-15

PIN OUT

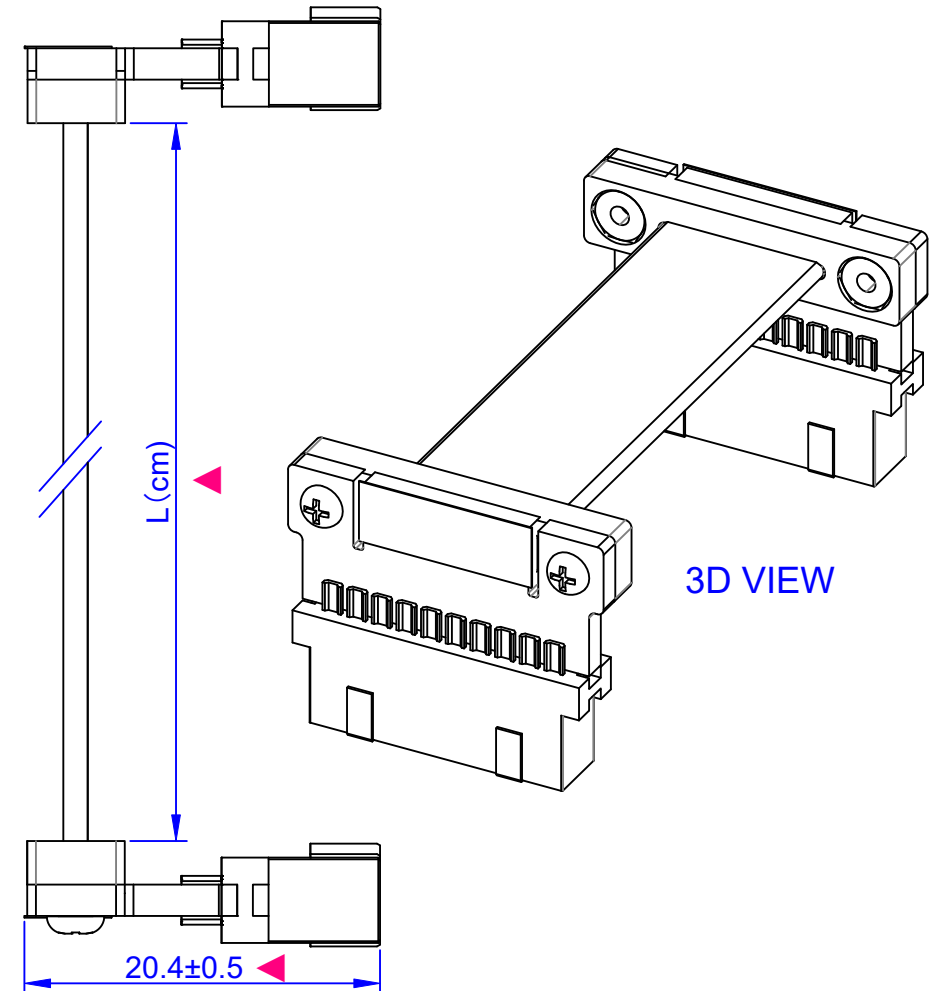
UF1C	UF1C
USB 3.0 Int. 19P male	USB 3.0 Int. 19P male
1 VBUS	1 VBUS
2 P1_RX-	2 P1_RX-
3 P1_Rx+	3 P1_Rx+
4 GND	4 GND
5 P1_TX-	5 P1_TX-
6 P1_TX+	6 P1_TX+
7 GND	7 GND
8 P1_D-	8 P1_D-
9 P1_D+	9 P1_D+
10 ID	10 ID
11 P2_D+	11 P2_D+
12 P2_D-	12 P2_D-
13 GND	13 GND
14 P2_TX+	14 P2_TX+
15 P2_Tx-	15 P2_Tx-
16 GND	16 GND
17 P2_Rx+	17 P2_Rx+
18 P2_RX-	18 P2_RX-
19 VBUS	19 VBUS



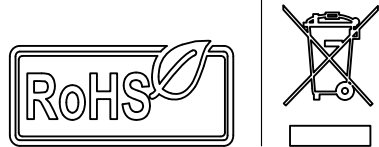
TOP VIEW



BOTTOM VIEW



3D VIEW



NOTE

- 1.100% OPEN/SHORT TEST.
- 2.DIMSION MARK "▼" BY QC CHECK.

ELECTRONIC CHARACTERISTICS:

Current Rating: 15W (Max.)
 VoLtage Rating: 5V/3A ac(r.m.s) Max.
 Spark test: 1200V
 Dielectric strength test: Minimum 600V in 1 miute
 Insulation resistance: Minimum 95MΩ-Km
 Differential Impedance: 95Ω
 Pair match impedance: ±5Ω

FEATURES:

Function: USB 3.0 Int. 19PIN extension cable
 Specification: USB 3.0
 Bandwidth: 5Gbps (Max.)
PHYSICAL PROPERTIES:
 Operation Temp. Range: -20°C to 80°C

UF1C-UF1C-DL-8cm	80±5
UF1C-UF1C-DL-22cm	220±10
UF1C-UF1C-DL-27cm	270±10
Part-Number	Length (mm)

ADT-LINK

TITLE: USB 3.0 Int. 19PINExtension CABLE L=3~300cm		DWG NO.: ADT-UF1C-UF1C-DL	
		CUSTOMER NO.: ADT	
		CUSTOMER P/N: UF1C-UF1C-DL	
SCALE	UNIT	CUS REV.	HY REV.
NONE	mm	1.0	1.0
DATE	SHEET		
2021-Jun-15	1/1		
DRAWING/制图		CHECKED/审核	
Gwydion		APPROVED/核准	

No.	PART NO.	DESCRIPTION	Q'TY
3	Connector	USB 3.0 Int. 19P MALE Connector	2Set
2	PAD	FR4 PCB PAD 3mm thickness	2Set
1	CABLE	USB FLAT CABLE,(WIRE20P=30AWG ,PE ,JACKET:BLACK,OD=1.4×13.2mm (95±10Ω),TPE	1Pcs
No.	PART NO.	DESCRIPTION	Q'TY