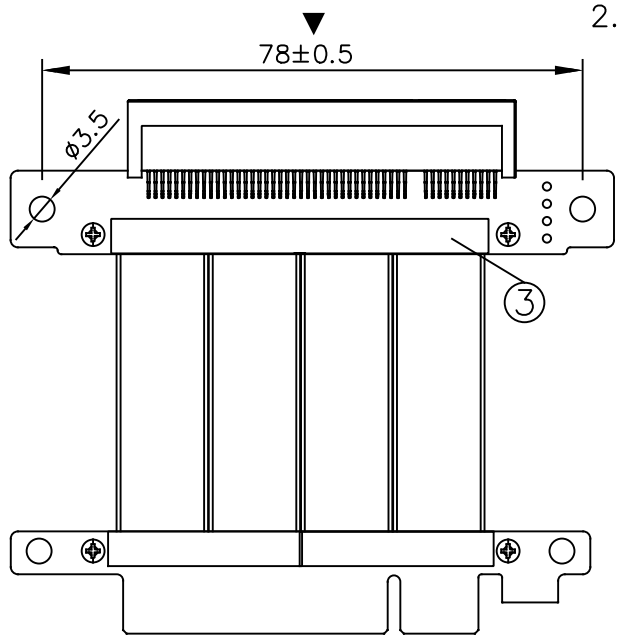


MATERIAL MUST BE ACCORD WITH RoHS STANDARD

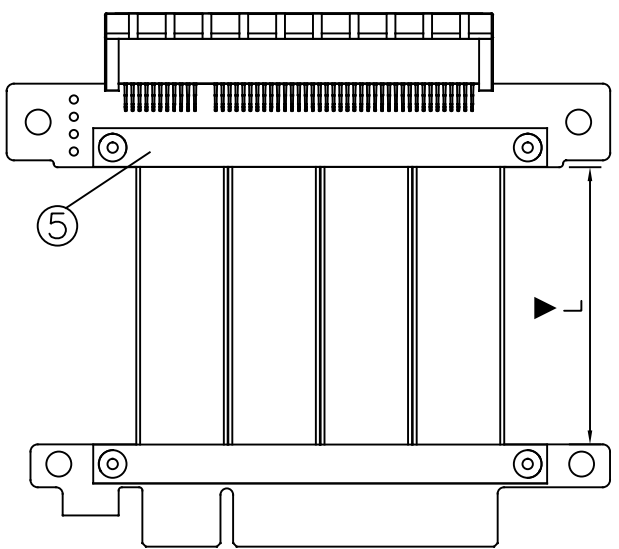


版本 REV.	变更内容 DESCRIPTION	变更号 ECN No.	日期 DATA
1.0	ISSUE	REL	2020-01-17

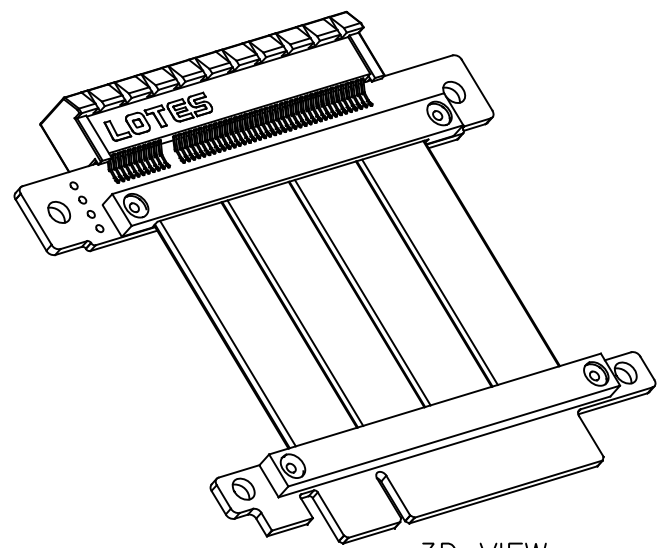
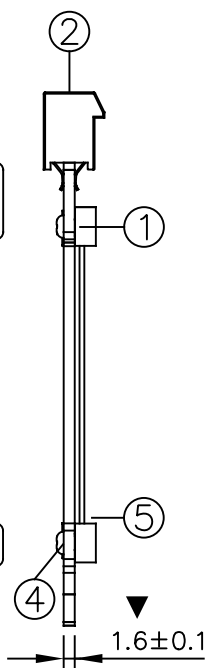
NOTE
1.100% PCIe 3.0x4 32Gb/s TEST.
2.DIMSION MARK "▼" BY QC CHECK.



BOTTOM VIEW



TOP VIEW



3D VIEW

R88SF-3cm	30±5
R88SF-5cm	50±5
R88SF-10cm	100±5
R88SF-15cm	150±5
R88SF-20cm	200±10
R88SF-25cm	250±10
R88SF-30cm	300±20
R88SF-40cm	400±20
R88SF-50cm	500±20
R88SF-80cm	800±30
Part-Number	Length (mm)

ADT-LINK

No.	PART NO.	DESCRIPTION	Q'TY
6	Connector	4P 2.54mm Pitch FLOPPY CONNECTOR	1Pcs
5	PAD	3mm thickness FR4 PCB PAD	2Pcs
4	Screw	M2 screw & hex nut	4Pcs
3	Tape	Acetate cloth tape	1Pcs
2	Connector	PCI-E x4 64P Open Type Connetor	2Pcs
1	CABLE	HIGH SPEED FLAT CABLE,(WIRE20P=30AWG×12P,28AWG×8P),PE JACKET: BLACK,OD=1.4×13.2mm (95±15Ω),TPE	2Pcs
No.	PART NO.	DESCRIPTION	Q'TY

TITLE: PCI-E x8 Extension CABLE L=3~80cm		DWG NO.: ADT-R8S-R8F-001	
		CUSTOMER NO.: ADT	
		CUSTOMER P/N: R48SF-xxxxcm	
	SCALE NONE	UNIT mm	CUS REV. 1.0
		HY REV. 1.0	DATE 2020-01-17
			SHEET 1/1
DRAWING/制图		CHECKED/审核	
APPROVED/核准			