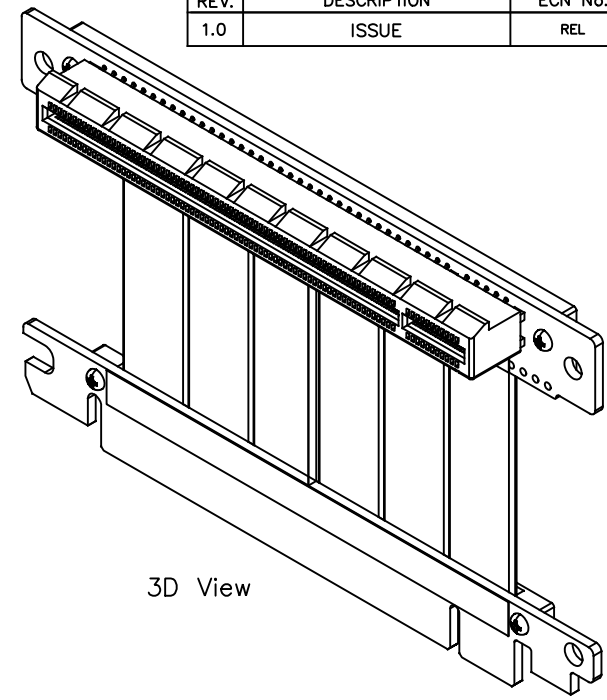
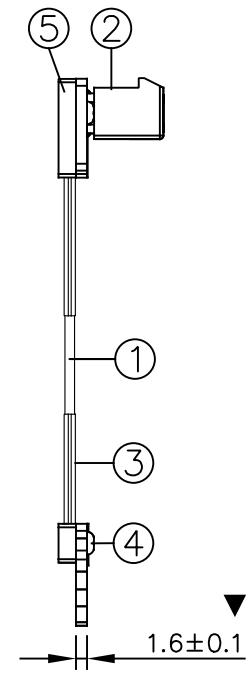
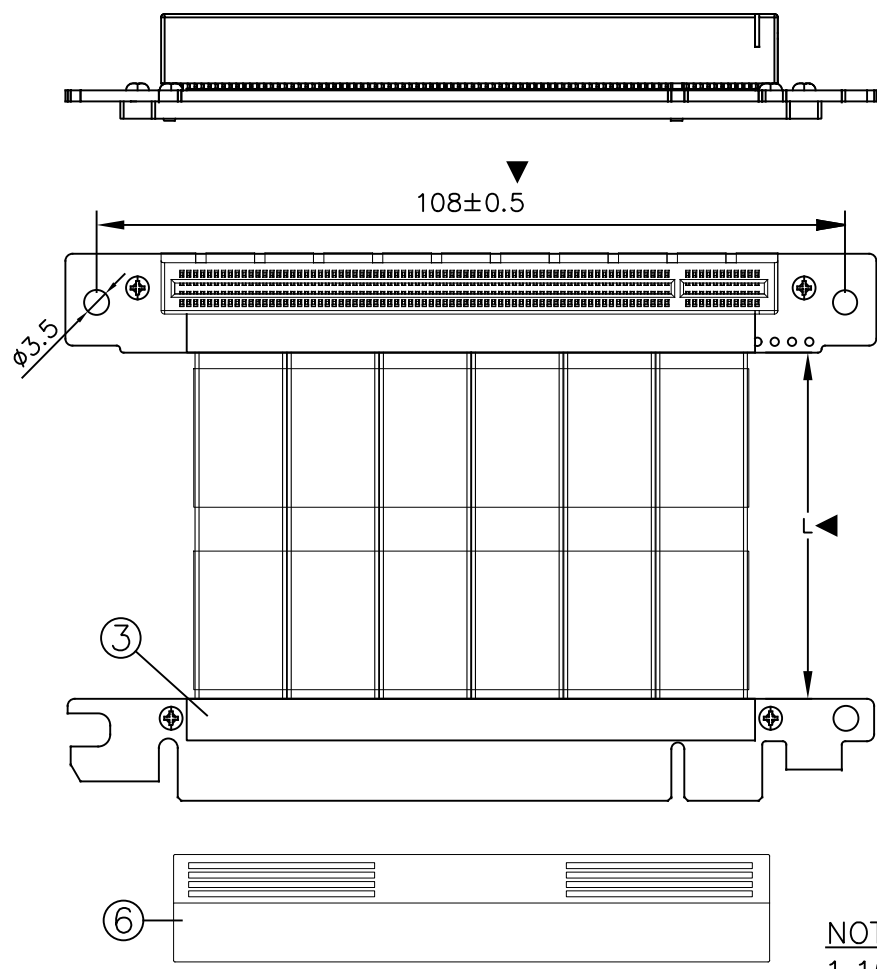


MATERIAL MUST BE ACCORD WITH RoHS STANDARD

版本 REV.	变更内容 DESCRIPTION	变更号 ECN No.	日期 DATE
1.0	ISSUE	REL	2020-05-21



3D View



**NOTE**  
 1.100% PCIe 3.0 8Gb/s x16 TEST.  
 2.DIMSION MARK "▼" BY QC CHECK.

R33SL-5cm	50±5
R33SL-10cm	100±5
R33SL-15cm	150±5
R33SL-20cm	200±10
R33SL-25cm	250±10
R33SL-30cm	500±20
R33SL-40cm	1000±20
R33SL-50cm	1500±20
R33SL-80cm	2000±30
Part-Number	Length (mm)

# ADT-LINK

6	Cover	PCIe x16 finger Dustproof Cover, PE or EQUIVALENT, Color:Natural	1Pcs
5	PAD	3mm thickness FR4 PCB PAD	2Pcs
4	Screw	M2 screw & hex nut	4Sets
3	Tape	Acetate cloth tape	4Pcs
2	Connector	PCIE 164Pin, Thru-Hole, Vertical, Black, Rohs/HF	1Pcs
1	CABLE	HDMI FLAT CABLE,(WIRE20P=30AWG×12P,28AWG×8P),PE JACKET: BLACK,OD=1.4×13.2mm (95±15Ω),TPE	6Pcs
No.	PART NO.	DESCRIPTION	Q'TY

TITLE: PCI-E x16 Extension CABLE L=5~80cm		DWG NO.: ADT-R3S-R3L-001	
		CUSTOMER NO.: ADT	
		CUSTOMER P/N: R33SL-xxxxcm	
SCALE NONE	UNIT mm	CUS REV. 1.0	HY REV. 1.0
DATE 2020-05-21		SHEET 1/1	
DRAWING/制图 Gwydion		CHECKED/审核	
		APPROVED/核准	