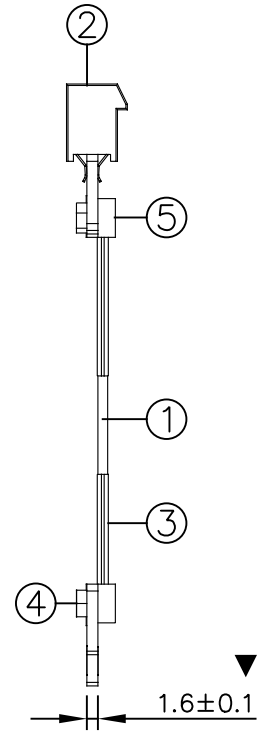
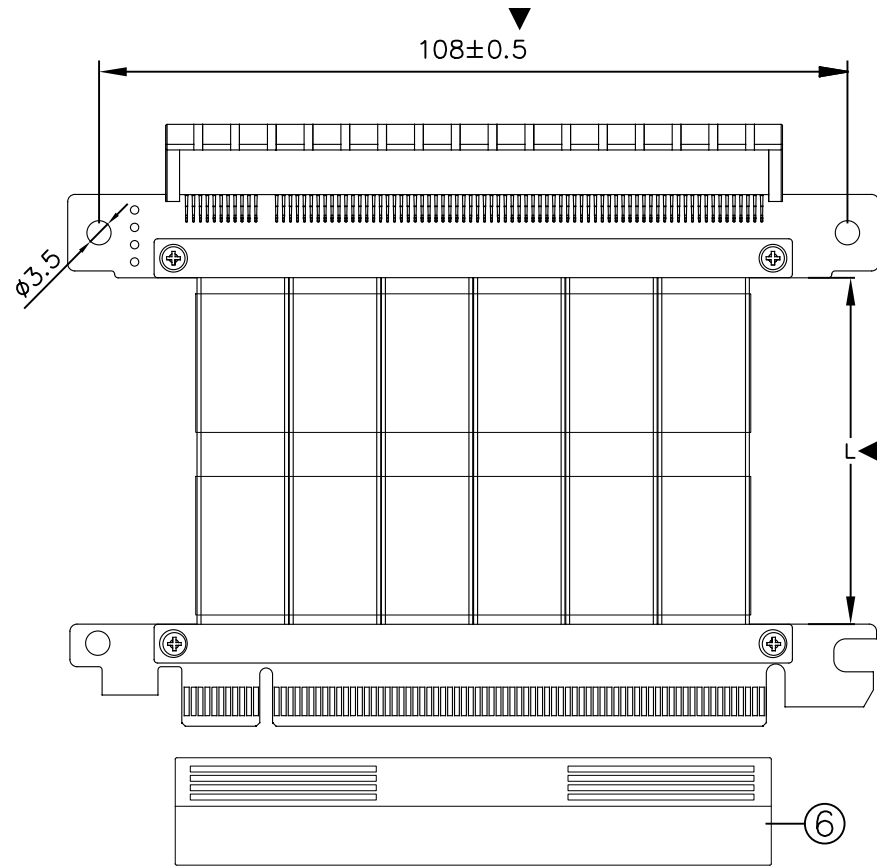
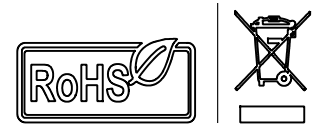


MATERIAL MUST BE ACCORD WITH RoHS STANDARD

版本 REV.	变更内容 DESCRIPTION	变更号 ECN No.	日期 DATE
1.0	ISSUE	REL	2019-03-11



NOTE  
 1.100% PCIe 3.0 8Gb/s x16 TEST.  
 2.DIMSION MARK "▼" BY QC CHECK.



R33SF-5cm	50±5
R33SF-10cm	100±5
R33SF-15cm	150±5
R33SF-20cm	200±10
R33SF-25cm	250±10
R33SF-30cm	500±20
R33SF-40cm	1000±20
R33SF-50cm	1500±20
R33SF-80cm	2000±30
Part-Number	Length (mm)

# ADT-LINK

6	Cover	PCIe x16 finger Dustproof Cover, PE or EQUIVALENT, Color:Natural	1Pcs
5	PAD	3mm thickness FR4 PCB PAD	2Pcs
4	Screw	M2 screw & hex nut	4Pcs
3	Tape	Acetate cloth tape	2Pcs
2	Connector	PCI-E x16 164P Straddle Mount Card Edge Connetor	1Pcs
1	CABLE	HDMI FLAT CABLE,(WIRE20P=30AWG×12P,28AWG×8P),PE JACKET: BLACK,OD=1.4×13.2mm (95±15Ω),TPE	6Pcs
No.	PART NO.	DESCRIPTION	Q'TY

TITLE: PCI-E x16 Extension CABLE L=5~80cm		DWG NO.: ADT-R3S-R3F-001	
		CUSTOMER NO.: ADT	
		CUSTOMER P/N: R33SF-xxxxcm	
	SCALE NONE	UNIT mm	CUS REV. 1.0
		HY REV. 1.0	DATE 2019-03-11
			SHEET 1/1
DRAWING/制图		CHECKED/审核	
APPROVED/核准			