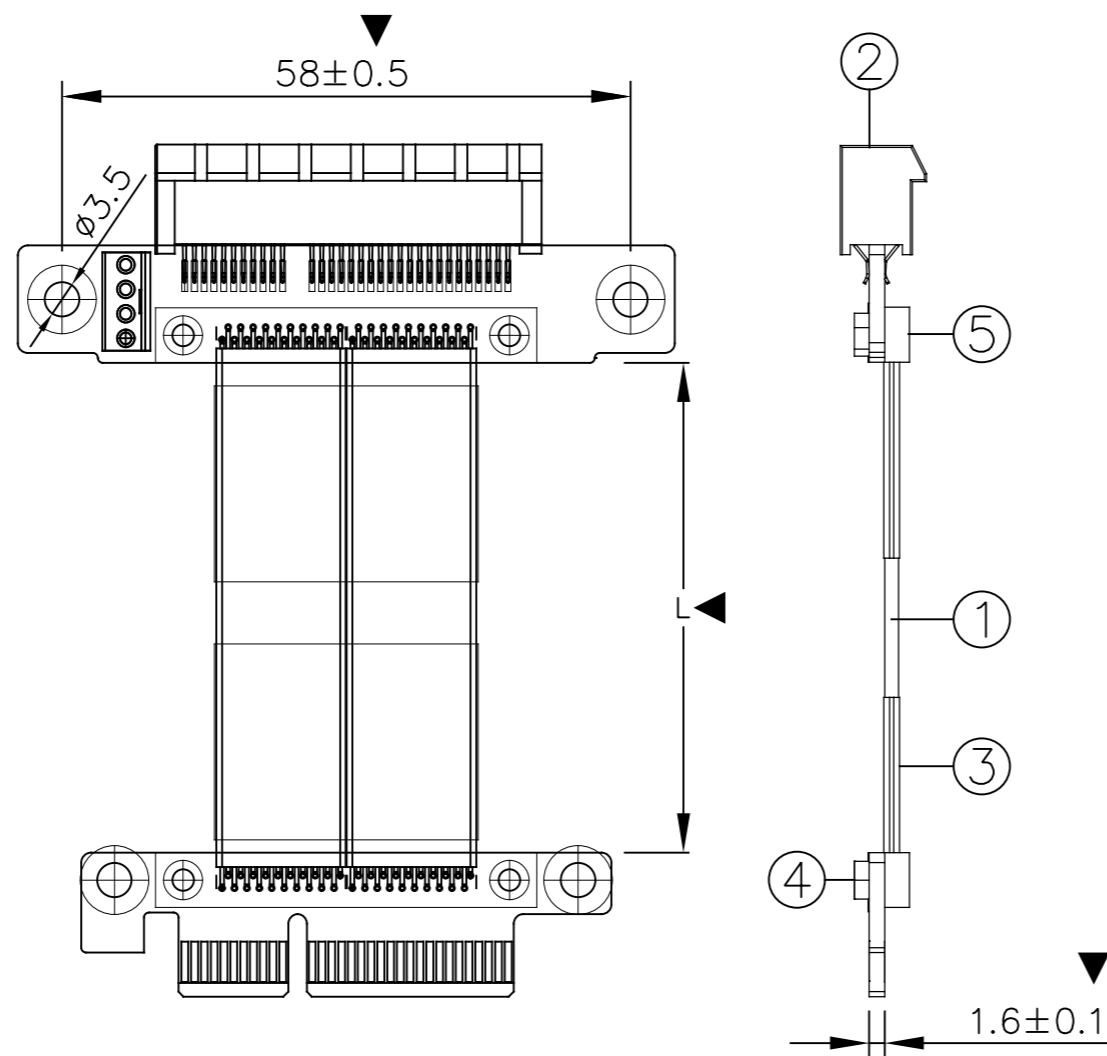


MATERIAL MUST BE ACCORD WITH RoHS STANDARD

| | | | |
|------------|---------------------|----------------|------------|
| 版本 REV. | 变更内容 DESCRIPTION | 变更号 ECN No. | 日期 DATE |
| 1.0 | ISSUE | REL | 2019-05-14 |



NOTE
 1.100% PCIe 3.0 8Gb/s x4 TEST.
 2.DIMSION MARK "▼" BY QC CHECK.



| | |
|-------------|-------------|
| R22SF-5cm | 50±5 |
| R22SF-10cm | 100±5 |
| R22SF-15cm | 150±5 |
| R22SF-20cm | 200±10 |
| R22SF-25cm | 250±10 |
| R22SF-30cm | 300±20 |
| R22SF-40cm | 400±20 |
| R22SF-50cm | 500±20 |
| R22SF-80cm | 800±30 |
| Part-Number | Length (mm) |

ADT-LINK

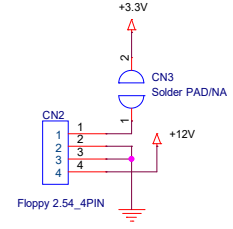
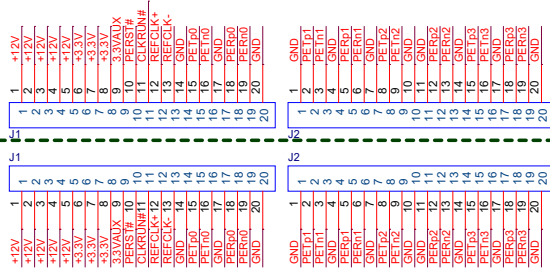
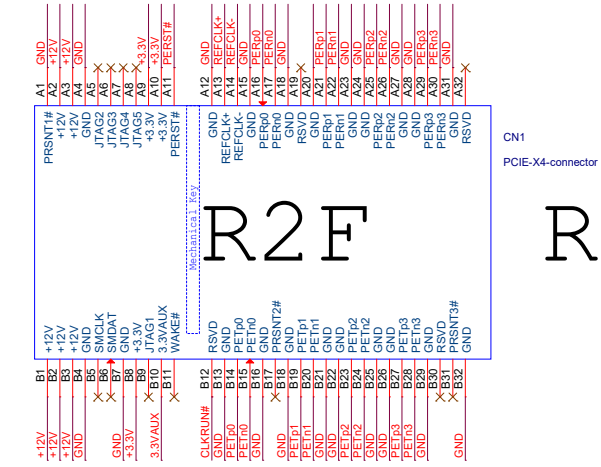
| | | | |
|--|---------------|-------------------------------|--------------------|
| TITLE: PCI-E x4 Extension CABLE L=5~80cm | | DWG NO.: ADT-R2S-R2F-001 | |
| | | CUSTOMER NO.: ADT | |
| | | CUSTOMER P/N: R22SF-xxxxcm | |
| | SCALE NONE | UNIT mm | CUS REV. 1.0 |
| | | HY REV. 1.0 | DATE 2019-05-14 |
| | | | SHEET 1/1 |
| DRAWING/制图 | | CHECKED/审核 | |
| | | APPROVED/核准 | |

| | | | |
|-----|-----------|--|------|
| No. | PART NO. | DESCRIPTION | Q'TY |
| 5 | PAD | 3mm thickness FR4 PCB PAD | 2Pcs |
| 4 | Screw | M2 screw & hex nut | 4Pcs |
| 3 | Tape | Acetate cloth tape | 2Pcs |
| 2 | Connector | PCI-E x4 64P Flat mount Connetor | 2Pcs |
| 1 | CABLE | HIGH SPEED FLAT CABLE,(WIRE20P=30AWG×12P,28AWG×8P),PE JACKET: BLACK,OD=1.4×13.2mm (95±15Ω),TPE | 2Pcs |

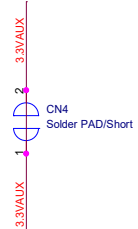
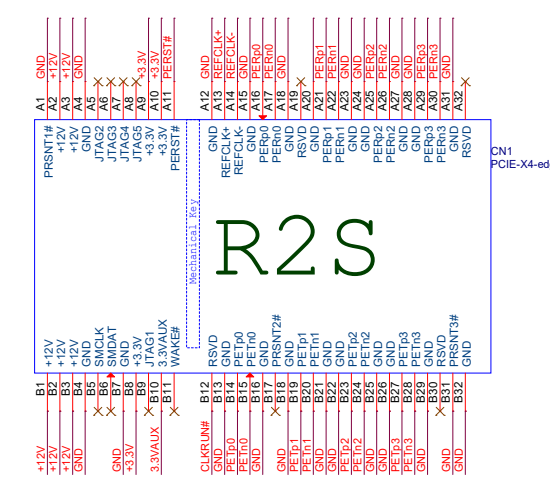
PCB Model Name: R2F,R2L,R2R V2.1
 Product Name: PCIe x4 to x4 Extender

Revision History

| Date | Version | Description |
|----------|---------|---------------|
| 20161203 | 1.0 | First Release |
| 20181203 | 2.0 | Add 3.3VAUX |
| 20190603 | 2.1 | Add CLKRUN# |

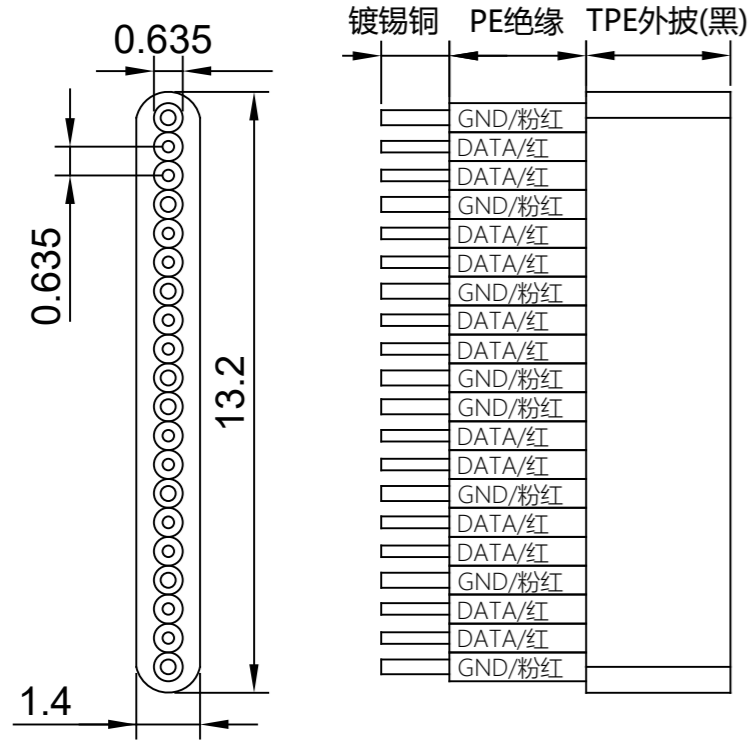


PCB Model Name: R2S V2.2
 Product Name: PCIe x4 to x4 Extender



| | | |
|--------------|---------------------------|--------------|
| WWW.ADT.LINK | | |
| Title | PCI Express 4x Extender | |
| Size | Document Number | Rev |
| A3 | R22 series | |
| Date: | Tuesday, January 07, 2020 | Sheet 1 of 1 |

PROPRIETARY AND CONFIDENTIAL
 THE INFORMATION CONTAINED IN THIS DRAWING IS THE SOLE PROPERTY OF ADT-LINK ANY
 REPRODUCTION IN PART OR AS A WHOLE WITHOUT THE WRITTEN PERMISSION OF ADT-LINK IS PROHIBITED



WIRE :

Conduct: Solid(单芯)
 AWG size: 30 AWG
 Material: Tin-plating copper(镀锡铜)

INSULATION :

Material of insulation: TPE red/pink (Halogen Free)
 Insulation thickness average: 0.19mm
 Minimum insulation thickness: 0.17mm

JACKET :

Material of insulation: PE Black(Halogen Free)

PHYSICAL PROPERTIES :

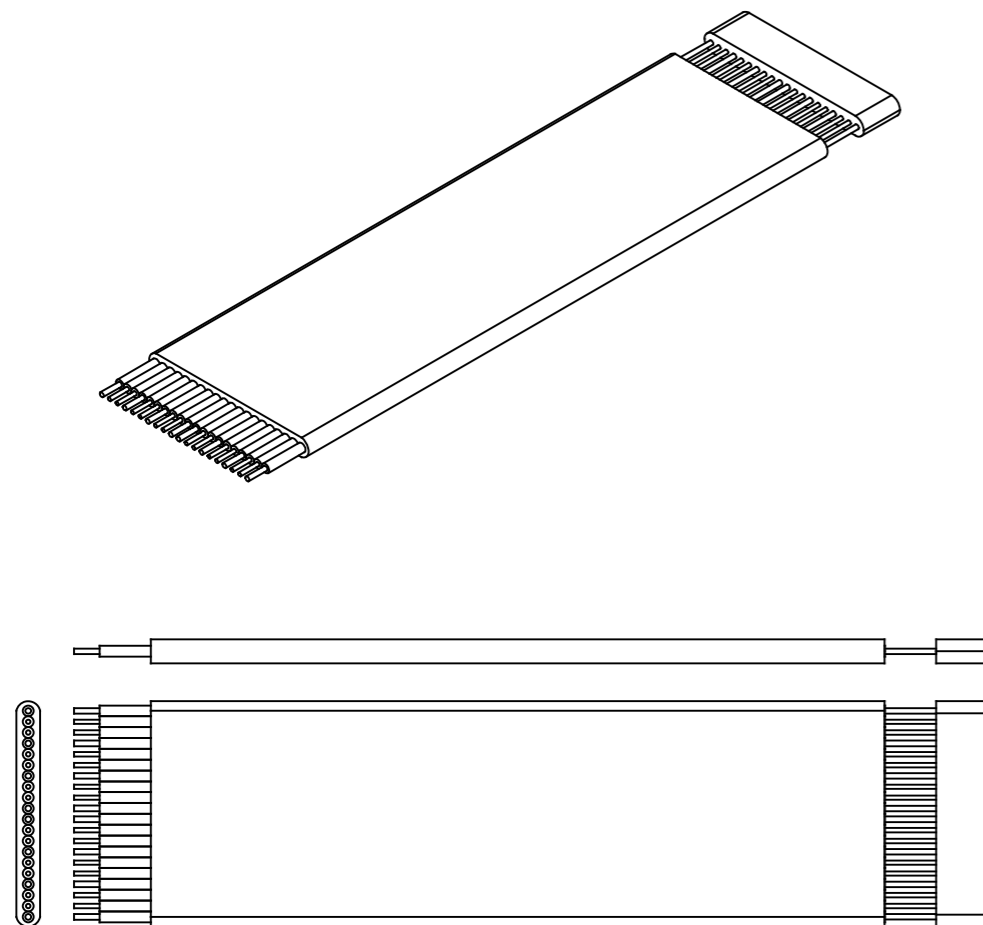
After 7 days air oven at -20°C to 80°C
 Percent of original: 65% at least
 Average elongation: 180%
 Percent of original: 55% at least

ELECTRONIC CHARACTERISTICS :

Spark test: 1200V
 Dielectric strength test: Minimum 600V in 1 miute
 Conductor Maximum: Maximum 365/Km
 Insulation resistance: Minimum 95MΩ-Km
 Differential Impedance: 95Ω
 Attenuation: -6 dB Max.
 Next: -26dB. Min. / 3G Hz
 Pair match impedance: ±5Ω
 Skew: 15 ps max.
 Rise time: 110 ps Max.

MARKING :

PACKAGE :



| | | | | | |
|-----------|----------------|--------|------------|-----------------|-------|
| APPROVED: | - TOLERANCES - | | UNIT: mm | TITLE : | SHEET |
| ENGINEER: | General | Angles | SCALE: 1:1 | DRAWING NUMBER: | 1/1 |
| CHECKED: | 30~ | 0° | | Date | SIZE |
| DRAWN: | 10~30 | 0.0° | | | |
| | 5~10 | | | | REV. |
| | 0~5 | | | | A/0 |
| | | | | ADT-LINK | |

